

# **A**top ABLELink® Serial-Ethernet Server

## **GW21W-MAXI**

### **Quick Start Guide**



Version 1.1

Updated on 2004/02/27

Tel: 886-3-5508137  
Fax: 886-3-5508131  
[www.atop.com.tw](http://www.atop.com.tw)

Thank you for purchasing Atop GW21W-MAXI Serial-Ethernet Server product. This document intends to provide customers with brief descriptions about the product and to assist customers to get started.

For detail information and operations of the product, please refer to the product user's manual in the product CD or diskette.

## Packaging

- Atop Serial-Ethernet Server x 1
- Mini DIN to RS-232 DB-9 Cable x 1
- Atop Serial-Ethernet Server quick start guide x 1
- Product CD containing configuration utility and sample programs x 1

## Hardware Setup

### Nomenclature of GW21W-MAXI Components

Figure 2.1 shows the names of GW21W-MAXI components. In the figure, the indicated switch settings represent factory settings.

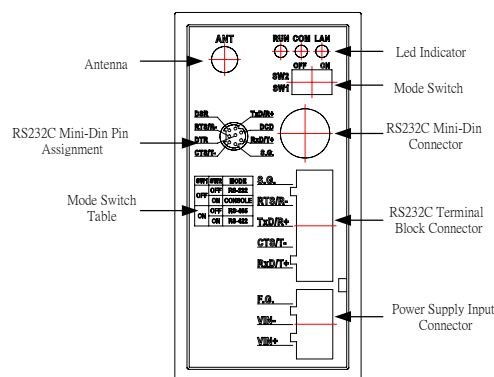


Figure 2.1. Nomenclature of GW21W-MAXI Components

### MODE Switch

This sets or initializes the operating mode for the GW21W-MAXI.

The factory default setting is that Switch 1 (SW1) and Switch 2 (SW2) are set to OFF. You can use the Mode switch to change the operating mode from the factory default settings to your desired mode.

GW21W-MAXI can be setup either RS-232, RS-485, RS-422 or Console configuration mode by MODE Switch.

Table 2.1. MODE Switch Combinations

SW1	SW2	Mode
OFF	OFF	RS-232
	ON	CONSOLE
ON	OFF	RS-485
	ON	RS-422

1. Prepare an access point and connect it to the LAN.
2. Put GW21W-MAXI in the covering range of access point.
3. Connect a serial device to a serial port of GW21W-MAXI.
4. Power on GW21W-MAXI, RUN LED will be on and blinking. If there is data being transmitted over the network, LAN LED will be blinking otherwise it will be off.

## Software Setup

- **Assign a new IP address by ARP command**

Use ARP command to assign a static IP address of GW21W-MAXI using its hardware MAC address. The MAC address is printed on the rear side of device in the format of "0060E9-xxxxx". The following example shows how it works within MS-DOS command prompt window.

Step1: arp -s 10.0.50.101 00-60-E9-11-11-01  
(Add to ARP table)

Step2: telnet 10.0.50.101 1  
(Change to the new IP via telnet port 1. Note: The telnet connection will fail and GW21W-MAXI will restart.)

Step3: telnet 10.0.50.101  
(Use telnet to configure GW21W-MAXI. Refer to Configuration by Telnet chapter)

Note:

1. When using this method to change IP address, PC's IP address and GW21W-MAXI's IP address must belong to the same subnet.
2. The changed IP address must be legal, otherwise it will be changed back to the default value (10.0.50.100) after restart.

- **Configure by Telnet utility**

1. Telnet to GW21W-MAXI using command "**Telnet IP\_address**". Default IP address is 10.0.50.100 and default password is null.
2. GW21W-MAXI's network, COM ports and wireless settings can be configured individually.
3. The connection status is shown from "**AP version**" column of monitoring tool (**monitor.exe**).

- **Configure by monitor.exe utility**

Use **monitor.exe** that comes with product CD or diskette to configure the network parameters of GW21W-MAXI. Please refer to Appendix D Configuration Utility in the product user manual for more details.

- **Configure by web server**

1. Open web browser, type in the IP address of GW21W-MAXI to be configured. Default user name is **admin** and default password is **null**.
2. Configure settings from web page links then click "Save Configuration" to save settings.
3. Click on "Restart" button to make the change effective.

- **Configure by console mode**

1. Power off GW21W-MAXI.
2. Set the MODE switch SW1 to 'OFF' and SW2 to 'ON'.
3. Use a PC to connect to GW21W-MAXI's console with RS-232 cross over cable.
4. Power on GW21W-MAXI.
5. Open terminal program from your computer.
6. Set baud rate to **9600bps** for console port communication.
7. The following configuration operations are totally the same as those configure by telnet.
8. After finishing console settings, power off GW21W-MAXI, put SW1 and SW2 back to the previous setting.

## System Verification

- **Through monitor.exe utility**

1. Configure GW21W-MAXI working mode as TCP Server.
2. The host (PC) application program must be configured as a TCP client and connects to GW21W-MAXI with either designated TCP port number 4660 for COM1.
3. Make sure GW21W-MAXI is running normally by checking running status through **monitor.exe** configuration utility.

- **Through testing programs**

Testing programs written in VB and VC++ included in package are provided for your references. Source codes are also included. Testing programs can be found in the product CD or diskette under the directory of `\sample\vb_ap\ TCPTEST.exe` and `\sample\vc_ap\ TCPTEST2.exe` respectively.

1. **TCPTTEST in Visual Basic**

After the program is started successfully, you can start testing functions.

**Note: Please make sure the Microsoft visual studio family software is installed on the computer. Otherwise the sample program will not run.**

2. **TCPTTEST2 in Visual C**

To start the program, please type in the following command in the command line prompt:

**TCPTTEST2 IP\_Address Port\_Number**

- **Use standard TCP/IP utility ping command**

From Windows' **Start** menu, select **Run** and type in "ping IP\_address".

## Customer Services and Supports

1. Contact your local dealers or ATOP Technical Support Center at the following numbers.
  - 886 3 550 8137 (ATOP Taiwan)
  - 86 21 6495 6232 (ATOP China)
2. Report the errors via Atop's Web site or E-mail account  
[www.atop.com.tw](http://www.atop.com.tw), [service@atop.com.tw](mailto:service@atop.com.tw)  
[www.atop.com.cn](http://www.atop.com.cn), [service@atop.com.cn](mailto:service@atop.com.cn)